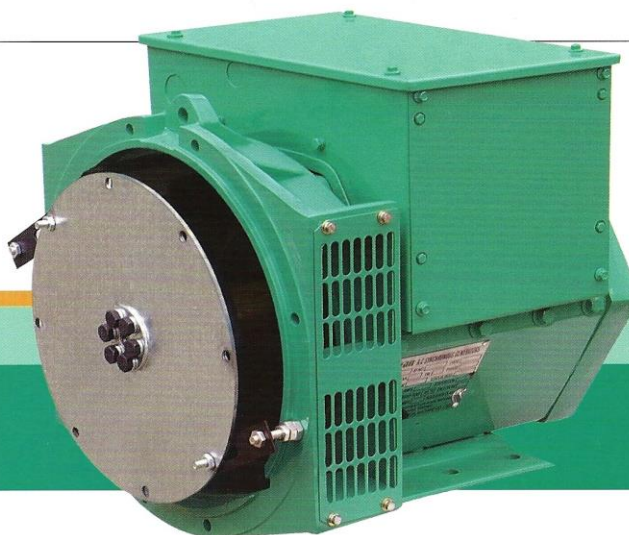


NEW ERA CGG

SERIES THREE-PHASE BRUSHLESS SYNCHRONOUS ALTERNATOR



CGG 164 TECHNICAL DATA SHEET

50Hz CLASS "H"

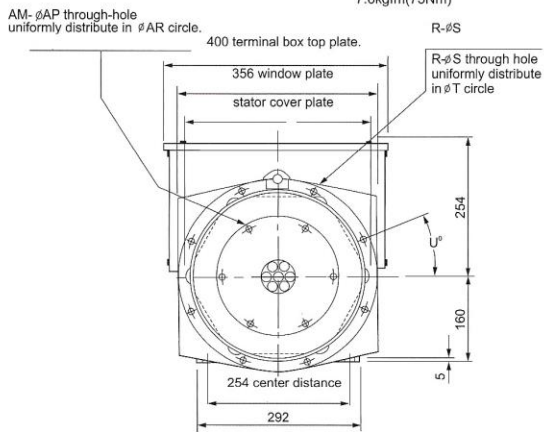
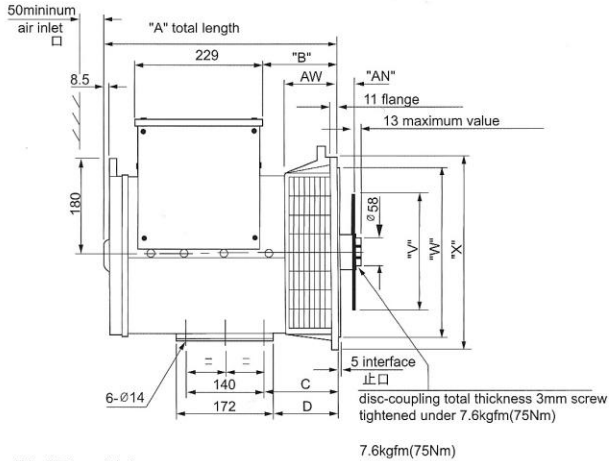
RATINGS	Winding 311 / 0.8 Power Factor												Winding 05						
	Cont./125k/40°C								Cont./125k/40°C				Cont./125k/40°C						
Duty / Temp Rise / Ambient T°																			
PHASE	3 PHASE								1 PHASE				1 PHASE						
SERIES STAR	380	400	415	440															Power Factor
PARALLEL STAR	190	200	208	220														0.8	1
SERIES DELTA	220	230	240	254															
DOUBLE DELTA									220	230	240							220,230,240	
	KVA	KW	KVA	KW	KVA	KW	KVA	KW	KVA	KW	KVA	KW	KVA	KW	KVA	KW	KVA	KW	
SLG164A	8.1	6.5	8.1	6.5	8.1	6.5	6.2	5	4.7	3.8	4.7	3.8	4.7	3.8	5.4	4.3	6.8	6.8	
SLG164B	11	8.8	11	8.8	11	8.8	8.5	6.8	6.4	5.1	6.4	5.1	6.4	5.1	7.4	5.9	8.4	8.4	
SLG164C	13.5	10.8	13.5	10.8	13.5	10.8	11	8.8	7.8	6.2	7.8	6.2	7.8	6.2	9.0	7.2	11.0	11.0	
SLG164D	16	12.8	16	12.8	16	12.8	13.5	10.8	9.3	7.4	9.3	7.4	9.3	7.4	10.8	8.6	13	13	

60Hz CLASS "H"

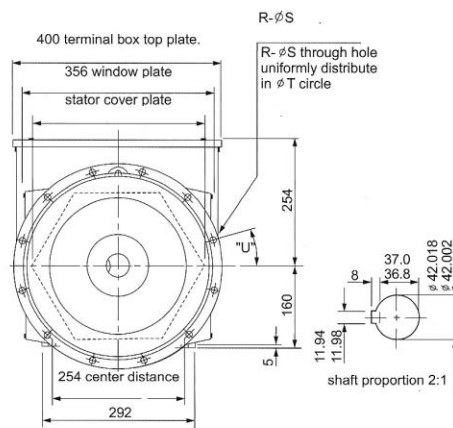
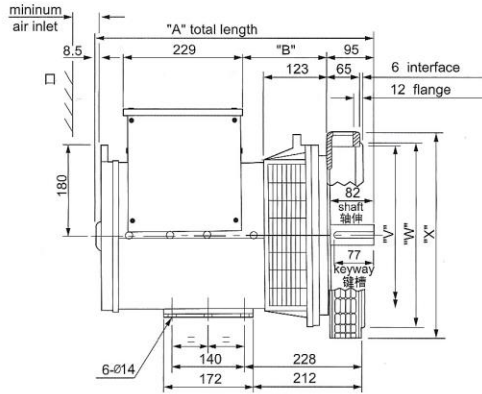
RATINGS	Winding 311 / 0.8 Power Factor												Winding 06					
	Cont./125k/40°C								Cont./125k/40°C				Cont./125k/40°C					
Duty / Temp Rise / Ambient T°																		
PHASE	3 PHASE								1 PHASE				1 PHASE					
SERIES STAR	416	440	460	480														Power Factor
PARALLEL STAR	208	220	230	240													0.8	1
SERIES DELTA	240	254	266	277														
DOUBLE DELTA									220	230	240						220,230,240	
	KVA	KW	KVA	KW	KVA	KW	KVA	KW	KVA	KW	KVA	KW	KVA	KW	KVA	KW	KVA	KW
SLG164A	9.6	7.7	10.2	8.2	10.2	8.2	10.2	8.2	5.1	4.1	5.4	4.3	5.6	4.5	6.4	5.1	8.2	8.2
SLG164B	13	10.4	13.8	11	13.8	11	13.8	11	6.9	5.5	7.2	5.8	7.5	6	8.8	7.0	11.0	11.0
SLG164C	16	12.8	16.9	13.5	16.9	13.5	16.9	13.5	8.5	6.8	8.9	7.1	9.3	7.4	10.8	8.6	13.5	13.5
SLG164D	18.9	15.1	20	16	20	16	20	16	10	8	10.5	8.4	11	8.8	13.5	10.8	16.5	16.5

External dimension

SINGLE BEARING



DOUBLE BEARING



Model	DIMENSION (mm)						SHIPMENT DATA		
	A			B			N.W (kg)	G.W (kg)	LXWXH (mm)
SLG164A	SAE3/5	SAE4	SAE6	SAE3/5	SAE4	SAE6	85	95	515X485X620
SLG164B	403.5	391.5	435.2	119.5	107	151.2	90	102	515X485X620
SLG164C	403.5	391.5	435.2	119.5	107	151.2	96	110	515X485X620
SLG164D	403.5	391.5	435.2	119.5	107	151.2	99	116	515X485X620

Model	DIMENSION				SHIPMENT DATA		
	A	B	N.W(kg)	G.W(kg)	LXWXH(mm)		
SLG164A	511.5	137	91	101	565X485X620		
SLG164B	511.5	137	98	108	565X485X620		
SLG164C	511.5	137	106	116	565X485X620		
SLG164D	511.5	137	112	122	565X485X620		

S.A.E.NO.	FLANGE (mm)								
	AW	R	S	T	U°	W	X	C	D
3	105	8	11	428.6	15	409.5	451	145	129
4	93	8	11	381.0	15	361.9	402	133	117
5	105	8	11	333.3	22.5	314.3	356	145	129
6*	136.7	8	11	285.8	22.5	266.7	308	176.7	160.7

S.A.E.NO.	FLANGE (mm)						
	R	S	T	U°	V	W	X
3	12	11	428.6	15	396	409.5	451
4	12	11	381.0	15	352	361.9	403
5	8	11	333.3	22.5	301	314.3	356

S.A.E.NO.	DISC COUPLING (mm)				
	AN	AM	AP	AR	V
6.5	30.16	6	8.7	200.0	215.8
7.5	30.16	8	8.7	222.2	241.2
8	61.9	6	11	244.5	263.4
10	53.98	8	11	295.3	314.2

SAE NO	SINGLE BEARING SAE NO SELECTOR			
	SAE 6.5	SAE 7.5	SAE 8	SAE 10
SAE 3	•	•		•
SAE 4		•	•	
SAE 5	•	•		
SAE 6	•			

Note: * "A" dimension should extend 31.77mm corresponding to an additional spacer plate added on SAE6.
 * 8 holes of SAE3 uniformly distribute on the circle spaced as 12.

Central Georgia Generator, LLC
 216 Airport Rd Ne
 Milledgeville, GA, 31061
 www.cgg1.com

Email: info@cgg1.com
 Phone: 478-457-5524
 478-251-2914
 478-453-9358 Fax 478-453-0642